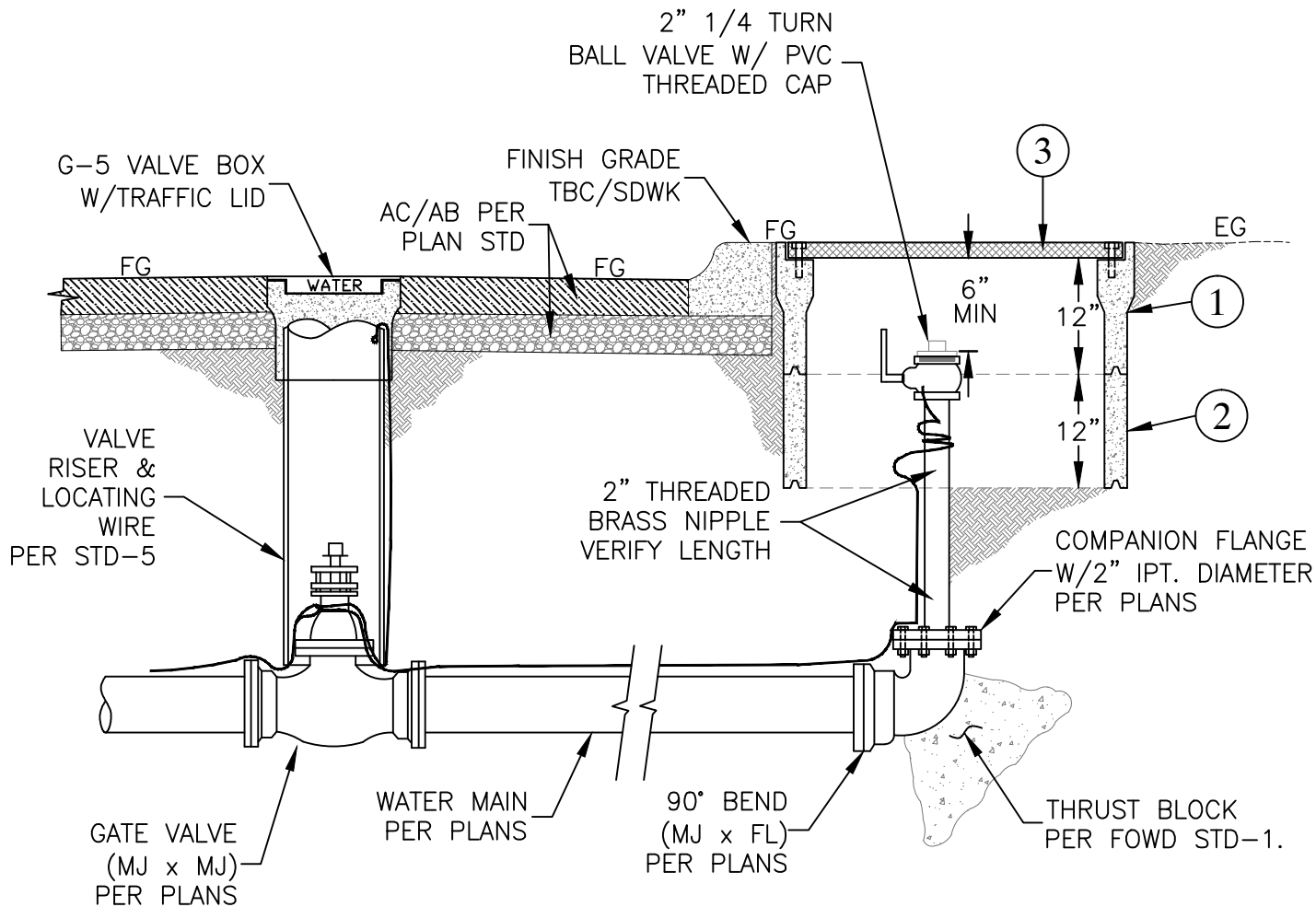


N: \AUTOCAD FILES\AUTOCAD MASTER DWGS\WORKING DWGS\Standard SPEC Dwgs\Std-Dwg FOWD\Dwgs\Std-3-1 Blowoff-End Main.dwg, 11/29/17 10:54:24am, teggarr



PLAN VIEW

CONTRACTOR NOTE:

INSTALLATION SHALL BE PERFORMED IN ACCORDANCE WITH CURRENT FOWD SPECIFICATIONS AND TO THE SATISFACTION OF FOWD INSPECTOR. CONTRACTOR SHALL DETERMINE FINISH GRADE PRIOR TO INSTALLATION OF BLOW OFF CONCRETE BOX/LID.

CONTACT DISTRICT INSPECTOR A MINIMUM OF TWO BUSINESS DAYS PRIOR TO START OF CONSTRUCTION (916) 967-5723

APPROVED FOR TEMPORARY BLOW OFF INSTALLATION DURING CONSTRUCTION. PER FOWD APPROVAL.

BLOWOFF VALVE METER BOX:

- ① CHRISTY MODEL B1324 HIGH DENSITY REINFORCED CONCRETE BOX WITH NON-SETTLING SHOULDERS OR FOWD APPROVED EQUAL
- ② CHRISTY MODEL B1324x12 EXTENSION RISER
- ③ CHRISTY MODEL B1324-61JH STEEL H/20 TRAFFIC RATED LID WITH BOLT DOWN

Fair Oaks Water District

10326 FAIR OAKS BLVD, FAIR OAKS, CA 95628
OFFICE (916) 967-5723, FAX (916) 967-0153
WEBSITE: WWW.FOWD.COM



FAIR OAKS
WATER DISTRICT

2" BLOW OFF VALVE AT END OF WATER MAINS

Construction Standard

APPROVED:
M. NISENBOYM
DRAWN BY
T. EGGAR
DRAWING
STD 3-1
REVISED
NOV-2017
SCALE
N/A

Standard Specifications