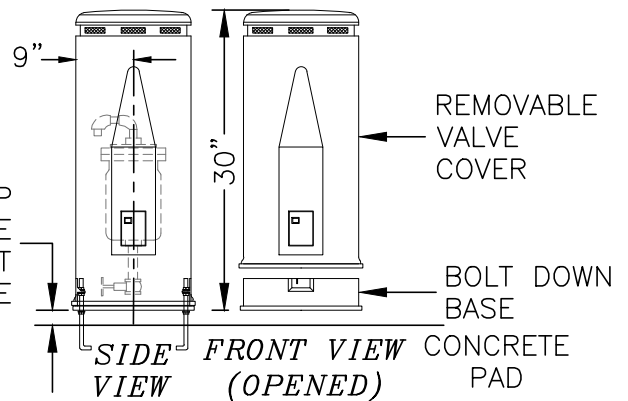
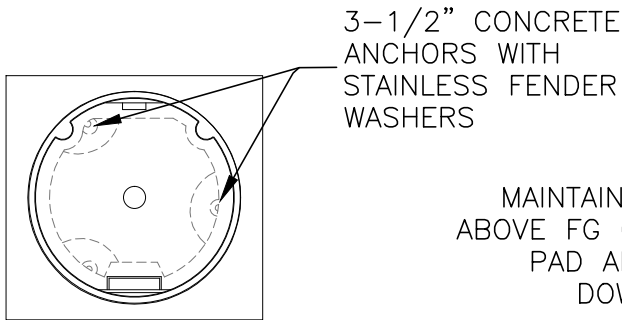
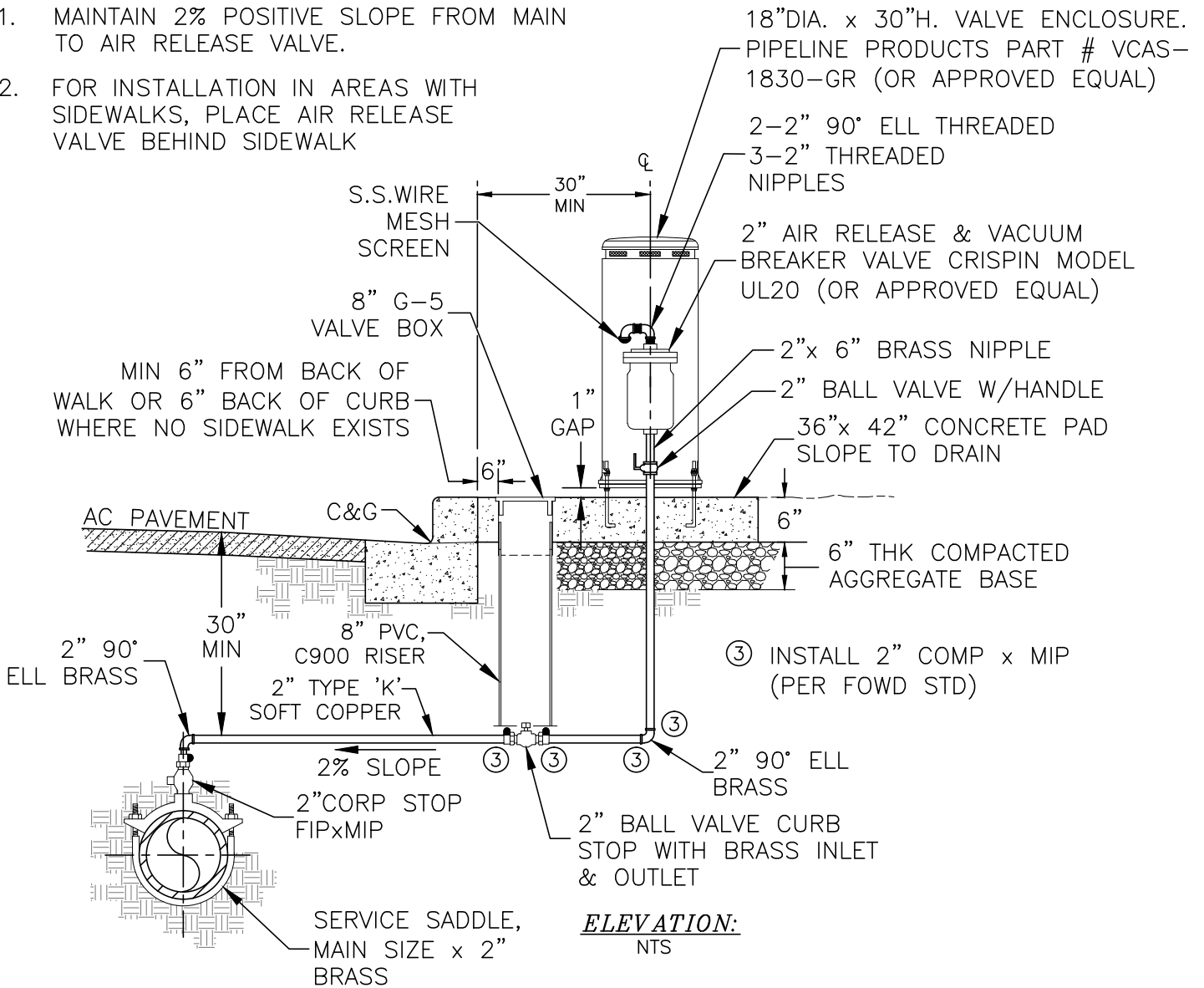


NOTES:

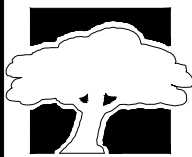
1. MAINTAIN 2% POSITIVE SLOPE FROM MAIN TO AIR RELEASE VALVE.
2. FOR INSTALLATION IN AREAS WITH SIDEWALKS, PLACE AIR RELEASE VALVE BEHIND SIDEWALK



ELEVATION:
NTS

N:\AUTOCAD FILES\AUTOCAD MASTER DWGS\WORKING DWGS\Standard SPEC Dwgs\Std-Dwg FOWD\Dwgs\Std-2-2 (2inch) AVR.V.dwg, 12/01/16 02:28:16pm, teggarr

Fair Oaks Water District
10326 FAIR OAKS BLVD, FAIR OAKS, CA 95628-7187
OFFICE (916) 967-5723, FAX (916) 967-0153
WEBSITE: WWW.FOWD.COM



FAIR OAKS
WATER DISTRICT

**2" AUTOMATIC AIR & VACUUM
RELEASE VALVE**

Standard Drawing 2-2

APPROVED:
M. NISENBOYM
DRAWN BY
T. EGGAR
DRAWING
STD-2-2
REVISED
NOV-2016
SCALE
N/A

Standard Specifications