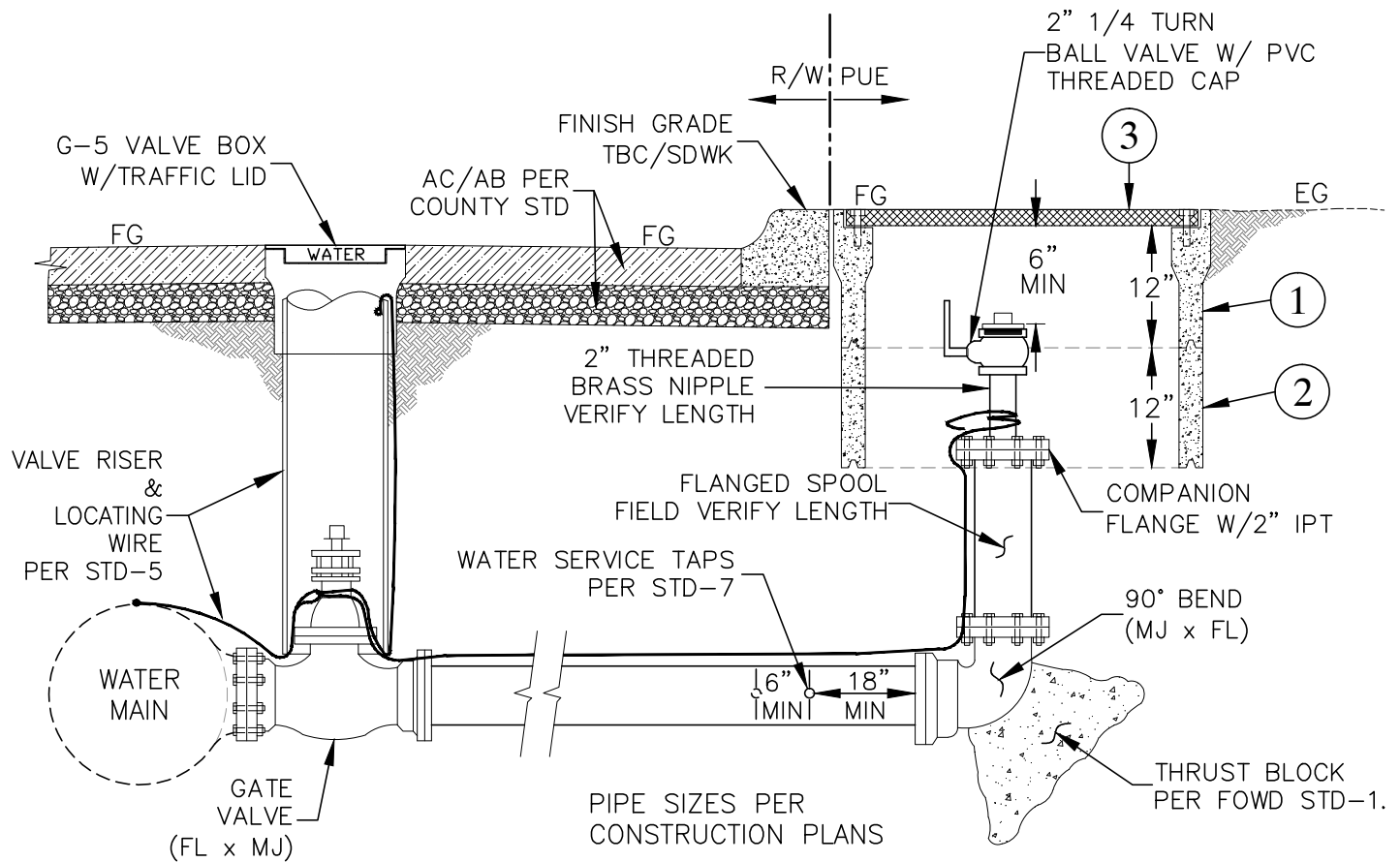


N:\AUTOCAD FILES\AUTOCAD MASTER DWGS\WORKING DWGS\Standard SPEC DWGS\Std-Dwg_FOWD\DWGS\Std-8.1 Bullhead service.dwg, 11/03/16 03:01:53pm, teggar



BULLHEAD METER ASSEMBLY

NTS

CONTRACTOR NOTE:

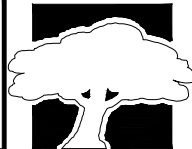
CONTRACTOR SHALL INSTALL BULLHEAD ASSEMBLY IN ACCORDANCE WITH CURRENT FOWD STANDARDS. COORDINATE INSTALLATION AND INSPECTION WITH DISTRICT INSPECTOR. CONTRACTOR TO CONTACT DISTRICT INSPECTOR (916) 967-5723 A MINIMUM OF TWO (2) BUSINESS DAYS PRIOR TO START OF WORK. BLOW-OFF AND WATER METER BOXES SHALL BE PLACED IN LINE WITH BLOW-OFF IN CENTER. CONTRACTOR RESPONSIBLE FOR ESTABLISHING FINISH GRADE PRIOR TO INSTALLATION. SEE FOWD STD-7 FOR WATER METER INSTRUCTIONS

BLOWOFF VALVE METER BOX:

- ① CHRISTY MODEL B1324 HIGH DENSITY REINFORCED CONCRETE BOX WITH NON-SETTLING SHOULDERS OR FOWD APPROVED EQUAL
- ② CHRISTY MODEL B1324x12 EXTENSION RISER
- ③ CHRISTY MODEL B1324-61JH STEEL H/20 TRAFFIC RATED LID WITH BOLT DOWN

Fair Oaks Water District

10326 FAIR OAKS BLVD, FAIR OAKS, CA 95628
OFFICE (916) 967-5723, FAX (916) 967-0153
WEBSITE: WWW.FOWD.COM



FAIR OAKS
WATER DISTRICT

BULLHEAD METER SERVICE INSTALLATION FOR MAJOR STREET RIGHT-OF-WAYS

Standard Drawing 8-1

APPROVED:
M. NISENBOYM
DRAWN BY
T. EGGAR
DRAWING
STD-8-1
REVISED
NOV-2016
SCALE
N/A

Standard Specifications